



Electrolux
PROFESSIONAL

Premium Preparation 1400 mm Wall Cupboard with 2 Sliding Doors

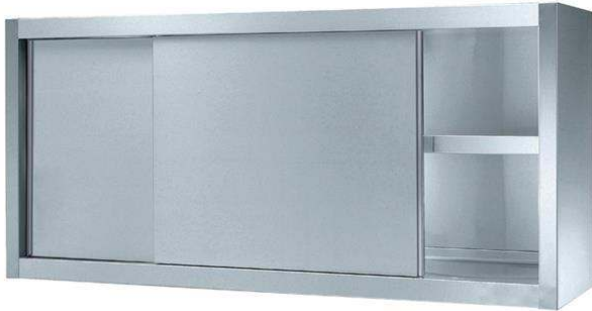
ITEM # _____

MODEL # _____

NAME # _____

SIS # _____

AIA # _____



133120 (PS1400EN)

Wall Cupboard, with 1 shelf
and 2 sliding doors, 1400mm

Short Form Specification

Item No. _____

Made entirely from 304 AISI stainless steel, 0,8mm in thickness. Inner welded frame in stainless steel. Uprturned panel edges. 10mm radiused corner between base and back panel for a perfect cleanability. 50mm top and base panel. Intermediate shelf adjustable at three different heights. Two sound-deadened sliding doors.

Main Features

- Handles in stainless steel for better hygiene and reliability.
- Sturdiness, stability and reliability of table accurately tested.

Construction

- Inner welded frame in stainless steel to guarantee superior strength and stability.
- Wall cupboard features an ergonomic handle and an internal shelf which can be positioned at three different levels.
- Sturdy sound-deadened sliding doors on tracks located flush to the front of the frame.
- Easy access to the cupboard interior on all lengths guaranteed by the use of only 2 doors.
- 100 mm upstand with 10 mm radiused corner and 13 mm deep, designed to be used against a wall.
- Scotch Brite finish to meet the highest hygiene standards.
- Heavy duty construction entirely in AISI 304 stainless steel to offer maximum durability.

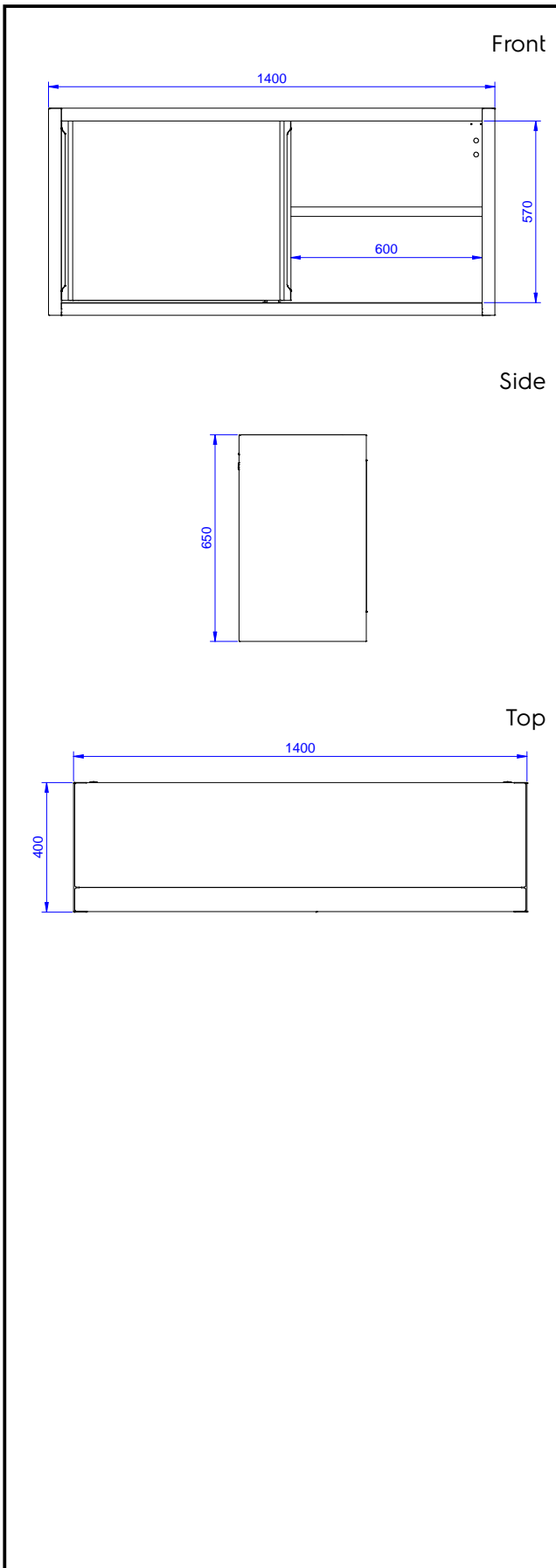
Optional Accessories

- Lighting kit with led for wall cupboards (1000mm and 1200mm) PNC 850709
- Lighting kit with led for wall cupboards (1400mm, 1600mm and 1800mm) PNC 850710

APPROVAL: _____



Experience the Excellence
www.electroluxprofessional.com



Key Information:

| | | |
|-------------------------------------|------------------------|--|
| Cabinet width: | | |
| 133120 (PS1400EN) | 1388 mm | |
| Cabinet depth: | 333 mm | |
| Cabinet height: | 570 mm | |
| N° of doors: | 2 | |
| External dimensions, Width: | 1400 mm | |
| External dimensions, Depth: | 400 mm | |
| External dimensions, Height: | 650 mm | |
| Net weight: | ISO 9001; ISO 14001 kg | |